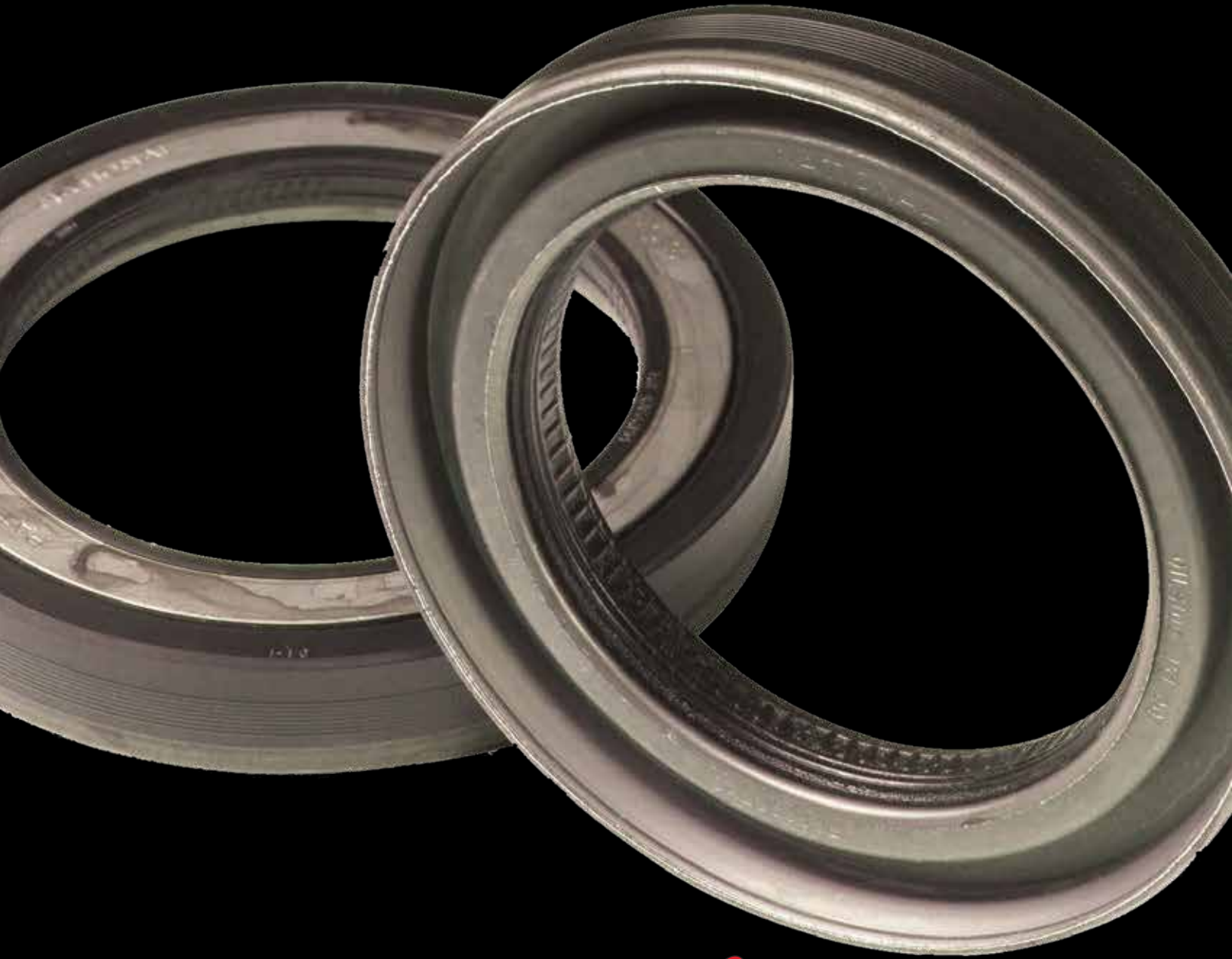


# HEAVY DUTY SEALS QUICK GUIDE



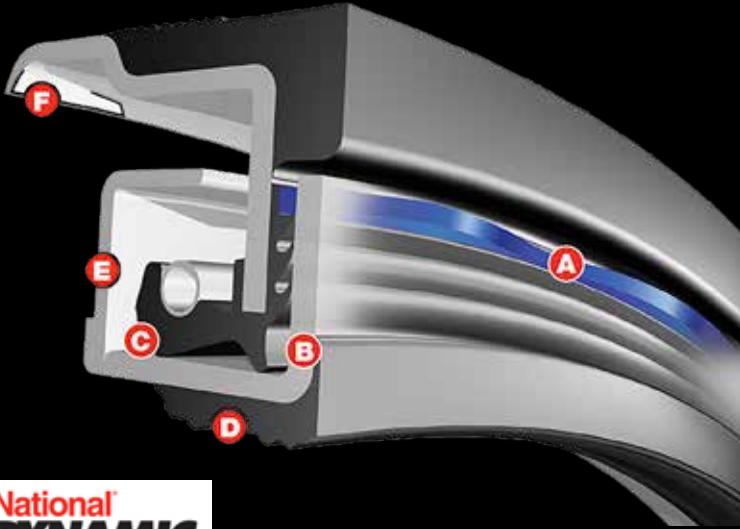
**Wheelco**  
*Customer Driven  
Since 1961*



# HEAVY DUTY SEALS QUICK GUIDE

## NATIONAL® WHEEL SEALS

3 GREAT OPTIONS - RED 37, RED 375, AND GOLD 38



### RED 37 SERIES DYNAMIC EDGE

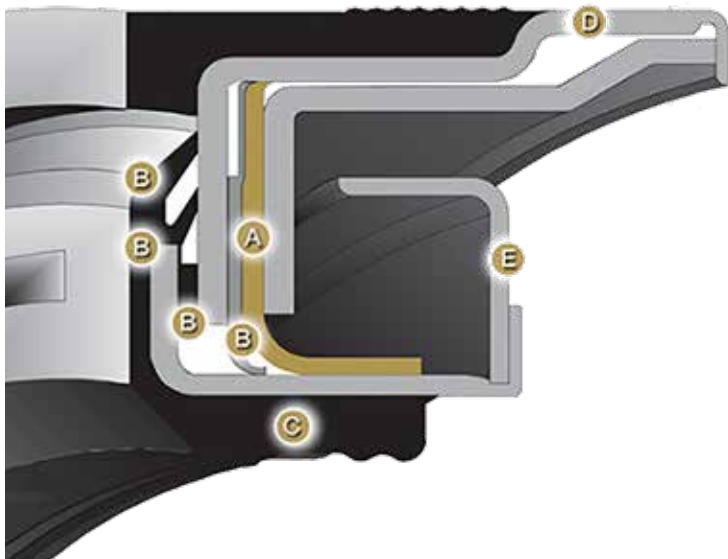
- » A: Dynamic Edge® pumping feature deflects contamination away from the face of the seal
- » B: Four floating points of contact lock out dirt and moisture
- » C: Single spring-loaded sealing lip effectively pumps lubricant back into hub
- » D: *Sure-Lock I.D.* rib technology firmly grips shaft and provides superior contaminant exclusion
- » E: Unitized construction provides structural integrity and main lip protection
- » E: Metal O.D. maintains position on hub bore



### RED 375 SERIES DYNAMIC EDGE

*With Hand Install Design*

- » Same technology as used in Red 37 but now configured for hand installation



### PREMIUM GOLD 38 SERIES

- » A: Patented PTFE Lay-Down Bi-Directional Sealing Lip maintains constant sealing during wheel movement
- » B: Three floating points of contact and bumper pad that prevents dirt contamination.
- » C: *Sure-Lock I.D.* rib technology firmly grips shaft and provides superior contaminant exclusion
- » D: Metal O.D. maintains position on hub bore
- » E: A unitized shield prevents damage to PTFE oil sealing lip and provides structural integrity

**National**  
Oil Seals

Sioux Falls, SD  
800.952.3674

Mitchell, SD  
888.996.8415

Watertown, SD  
888.590.7080

St. Cloud, MN  
888.704.4242

St. Paul, MN  
651.459.1487

Savage, MN  
952.373.8130

# NATIONAL® WHEEL SEALS

The Most Innovative Technology in Sealing!

## Application: 12,000# (FF) Front Axle:

Meritor, Eaton, Ford, Freightliner, Kenworth, Western Star, Navistar, Peterbilt & Volvo GM

### Popular Part Numbers:

- 370001A
- 375001A
- 380001A



### Cross Reference Numbers:

- SKF: 35062, 35066, 35058, 35058XT
- Stemco: 308-0836, 382-8036, 383-0136, 383-0236

## Application: 38,000#, 46,000# Tandem Drive Axles:

Eaton, Ford, Freightliner, Kenworth, Western Star, Peterbilt, Meritor, Navistar & Volvo GM

### Popular Part Numbers:

- 370003A
- 375003A
- 380003A



### Cross Reference Numbers:

- SKF: 47697, 47698, 47691, 47691XT
- Stemco: 309-0973, 392-9131, 393-0173, 393-0273

## Application: 34,000# Drive Axle:

Eaton, Ford, Navistar & Volvo GM

### Popular Part Numbers:

- 370023A
- 375023A
- 380023A



### Cross Reference Numbers:

- SKF: 38777, 8780, 38776, 38776XT
- Stemco: 309-0912, 392-9099, 393-0112, 393-0212



## Application: 22,500# (TN) Trailer Axle:

Meritor, Standard Forge, Dana & Eaton

### Popular Part Numbers:

- 370025A
- 375025A
- 380025A



### Cross Reference Numbers:

- SKF: 46305, 46308, 46300, 46300XT
- Stemco: 307-0743, 372-7097, 373-0143, 373-0243

## Application: Pro-Par Trailer Axle:

Fruehauf, Eaton P-22, Meritor (TP) & Dana

### Popular Part Numbers:

- 370065A
- 375065A
- 380065A



### Cross Reference Numbers:

- SKF: 42623, 42631, 42627, 42627XT
- Stemco: 307-0723, 372-7099, 373-0123, 373-0223

CHECK OUT OUR ENTIRE INVENTORY FOR COMPLETE PRODUCT LISTINGS.

**National**  
Oil Seals

SHOP OUR NEW AND INNOVATIVE PRODUCTS.

**WHEELCO.COM**