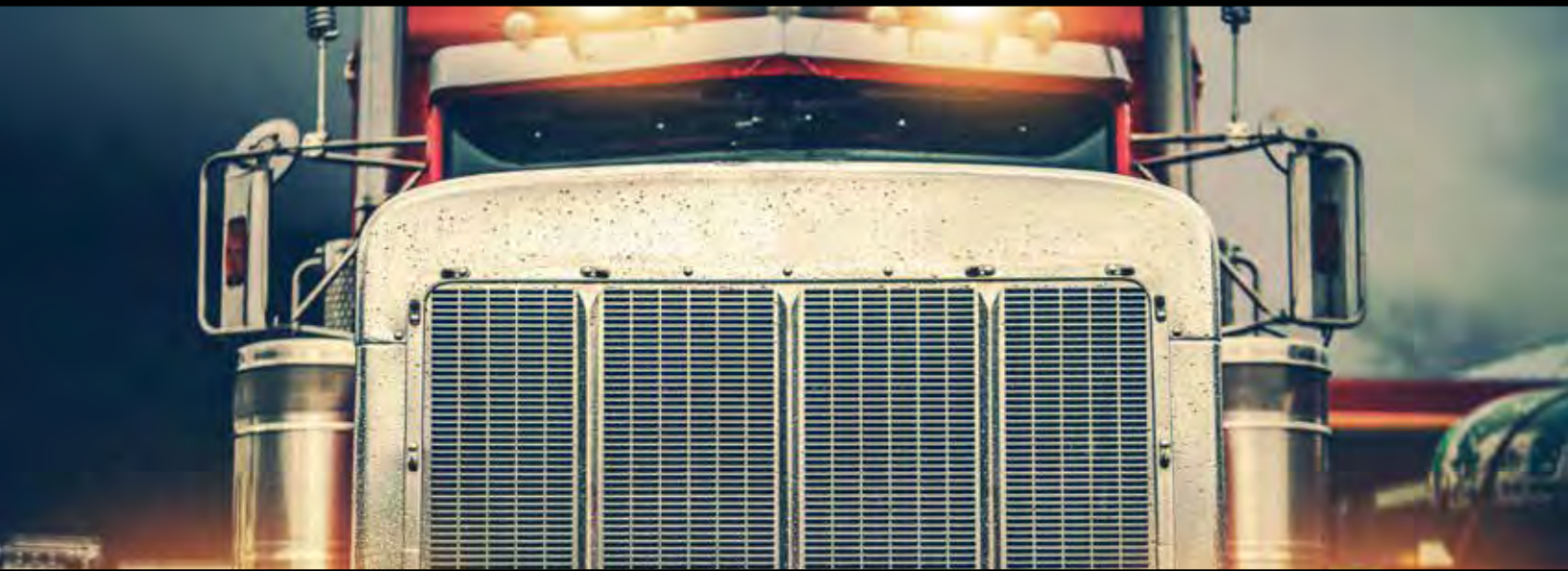


Wheelco
*Customer Driven
Since 1961*

NO MATTER WHAT YOU DRIVE WE'VE GOT A BATTERY FOR YOU



Sioux Falls, SD
800.952.3674

Mitchell, SD
888.996.8415

Watertown, SD
888.590.7080

St. Cloud, MN
888.704.4242

St. Paul, MN
651.459.1487

Savage, MN
952.373.8130

THE ULTIMATE BATTERY BUYER'S GUIDE

HEAVY DUTY COMMERCIAL

Deka Group 31 commercial batteries offer maintenance-free design and more power-per-pound for longer battery life. Also available in Intimidator AGM series for superior durability and performance.

- Popular Group 31 size fits most commercial truck applications
- Deep-pocket envelope separators protect plates from shorts and extends battery life
- Full-frame positive negative plates direct all of the available cranking power to the terminals
- Anchor lock elements secured to the bottom of the case resist the damaging effects of pounding vibration and extend battery life
- Maintenance-free flush covers for easy installation, replacement, and cleaning



ULTIMATE ALL WEATHER

The Ultimate battery series is built with the powerful design, performance, and protection that discriminating drivers demand for their vehicles.

- Delivers dependable starting and reserve power in extreme service
- All weather battery: high cranking power in cold; reinforced design handles; accelerated internal corrosion in heat
- Heavy-duty Power-Perform™ plates with full-frames prevent shorts and maximize energy storage and delivery
- Fortified posts, straps, and welds resist vibration damage, maximize current transfer



GOLD SERIES AUTOMOTIVE

The Deka Gold battery series features our exclusive Power-Perform® Plate technology, delivering high quality and reliable performance.

- Premium starting and reserve power
- Power-Perform™ plates with full-frames prevent shorts and maximize energy storage and delivery
- Fortified posts, straps, and welds resist vibration damage, maximize current transfer
- Flush cover design enhances overall battery performance, maintenance, safety, and convenience

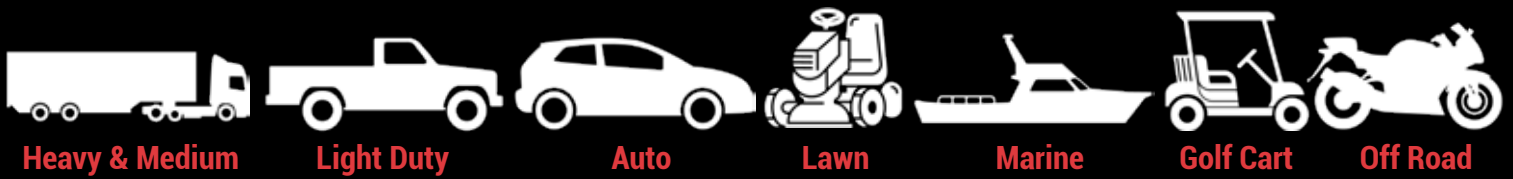


MARINE MASTER

The Marine Master flooded battery series rises to the top in user-friendly, marine-tough service and extended reliability.

- High cranking power for quick engine starts
- Flush cover, easy to install
- Extra reserve capacity for emergencies
- Maintenance-free design
- High starting and deep cycle capability
- Longer cycling than starting battery
- Extra reserve power for accessory loads
- Rugged vibration-resistant construction
- More power for trolling and electronic accessories
- Built-in protection against deep discharge damage
- Rugged vibration-resistant construction
- Reliable power for modest starting





OUTDOORSMAN LAWN & GARDEN

The Outdoorsman battery delivers plenty of cranking amps to power tractors and small-engine recreational vehicles across the roughest terrain.

- Electrical short prevention system protects power-producing components from life-robbing electrical shorts
- Vibration-resistant design with reinforced posts, straps, and welds withstand demanding conditions
- Side, safety vent system prevents acid leaks up to a 45° tilt, keeping battery dry and corrosion-free
- Power-Perform™, full-framed plates better withstand severe service demands while optimizing current transfer
- Tough polypropylene case and cover resist external damage from tough outdoor use



ETX SPORTS POWER

Premium quality absorbed glass mat technology (AGM) is ideal for ATVs, motorcycles, personal watercraft (PWC) & snowmobiles.

- Ready to go with no activation or adding acid required
- Precision-filled at factory with acid to optimize performance
- Completely spill-proof – protecting the user, environment, and equipment
- Premium AGM technology enables a lower self-discharge rate for maximum season-to-season reliability
- Superior durability and plenty of accessory power to handle auxiliary power demands



PROMASTER GOLF

Deka Pro Master® series delivers all the power you could possibly need in a Golf Cart/EV battery.

- Fortified internal connections resist performance loss from vibration damage
- Premium glass mat reinforcement protects battery's ability to store energy (less recharging)
- Durable, envelope separators prevent shorting for longer life
- Large reservoir and ultra-pure electrolyte optimizes water utilization
- Hermetic cover to post seal prevents terminal corrosion
- Strong, heavy-duty welds ensure critical user safety
- Fortified, solid posts impede post damage, especially from heat
- Reinforced polypropylene case and cover resists breakage under demanding outdoor use



Manufactured in the U.S.A with the highest quality workmanship and materials, Deka batteries provide the ultimate combination of quality performance and price.



INTIMIDATOR AGM GROUP 31 BATTERIES

12-VOLT INTIMIDATOR BATTERIES

Intimidator AGM Group 31 batteries are ideal for a vast majority of applications and offer advanced AGM technology. Ideal for commercial and heavy-duty trucks.

AGM Features & Benefits

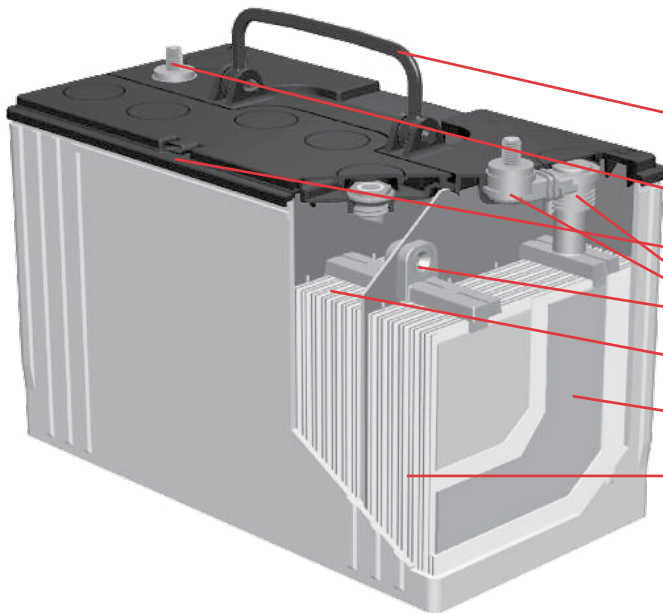
- Popular Group 31 size fits most commercial truck applications
- Delivers 2x the cycle life of flooded designs; up to 20x the vibration resistance
- Heavy-Duty Power-Perform™ plates optimize power, performance, and life even under deep cycle service
- Absorbed Glass Mat technology for no acid spills, even if tipped or broken
- Spill-proof construction makes safe to use in the driver's compartment or near sensitive electronic equipment
- Lower internal resistance provides quick starting power and enhances the efficiency of the vehicle's electrical system
- Over 2x the cycle life* means better power for electronic loads when key-off power is crucial
- Up to 20x more vibration protection* resists vibration damage for better performance and longer life
- Hard-impacting case and cover resists external damage for extended use
- Tough, stainless steel terminals prevent corrosion for more power and better performance



INTIMIDATOR

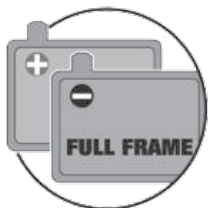
Innovative Design

1. **Convenient Handle**
maximizes ease of transport and installation (also available without handle)
 2. **Stainless Steel Studs**
(SAE post available) resists life-robbing corrosion
 3. **Safety Relief Valve System**
prevents capacity loss and controls pressure
 4. **Fortified Posts, Straps, and Welds**
resist vibration damage, maximize current transfer
 5. **Enhanced Electrolyte Suspension System**
completely absorbs electrolyte for spillproof design
 6. **Heavy-Duty Power-Perform Plates**
optimize battery's power and energy storage capacity
 7. **Optimized Component Compression**
provides superior vibration resistance
- **Ultra-Pure Demineralized Electrolyte**
precision filled for extended life



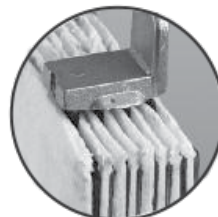
Power-Perform® Full-Frame Positive & Negative Plates

- Better withstands severe service demands
- Prevents life-robbing electrical shorts from exposed wire



Enhanced Electrolyte Suspension System

- Absorbs more electrolyte, protects internal components
- Micro-porous glass separators prevent acid spills and terminal corrosion



DEKA BATTERY REFERENCE SHEET

POPULAR HEAVY DUTY BATTERIES

GROUP#	PART #	PERFORMANCE LEVEL				WEIGHT (LB) WET	MAXIMUM OVERALL DIMENSIONS						WARRANTY FREE MONTHS	FOOTNOTES
		CCA	R.C.	REF. CA	20 HR CAP		LENGTH		WIDTH		HEIGHT			
							IN	MM	IN	MM	IN	MM		

12-VOLT INTIMIDATOR® – AGM – VALVE REGULATED

31	9A31	925	190	1050	100	66.5	13	330	6-3/4	171	9-1/2	241	18	2,13,17,38,39,43,X
----	------	-----	-----	------	-----	------	----	-----	-------	-----	-------	-----	----	--------------------

GROUP#	PART #	PERFORMANCE LEVEL				WEIGHT (LB) WET	MAXIMUM OVERALL DIMENSIONS						WARRANTY FREE MONTHS	FOOTNOTES
		CCA	R.C.	REF. CA			LENGTH		WIDTH		HEIGHT			
							IN	MM	IN	MM	IN	MM		

12-VOLT HEAVY-DUTY COMMERCIAL – INTIMIDATOR® – AGM – DEEP CYCLE / STARTING & CYCLING

31	8A31	800	200	1000	67.5	13	330	6-3/4	171	9-1/2	241	18	2,13,17,38,39,43,X
----	------	-----	-----	------	------	----	-----	-------	-----	-------	-----	----	--------------------

12-VOLT ULTIMATE® ADVANCED GENERATION / A3™ TECHNOLOGY

34/78	778DT	800	115	985	42	10-3/4	273	6-7/8	175	8	203	30	14,16,17,18,22,37,45
24F	724FMF	725	120	890	42.5	10-3/4	273	6-3/4	171	9	229	30	17,22,45
34	734MF	800	115	985	41	10-3/4	273	6-7/8	175	8	203	30	17,18,22,37,45
35	735MF	640	95	785	37	9-9/16	247	6-7/8	175	8-7/8	225	30	17,22,45
48 (H6/L3)	748MF	730	120	900	43	11	278	6-7/8	175	7-1/2	190	30	17,22,26,45
65	765MF	750	140	925	44	12	305	7-3/8	187	7-5/8	194	30	17,22,45
75	775MF	690	95	850	36	9-3/4	248	7	178	7-1/4	184	30	17,22,45
78	778MF	800	115	985	41	10-3/4	273	6-7/8	175	7-1/4	184	30	17,22,45
79	779MF	840	140	1035	43	12-1/16	307	7-1/16	179	7-3/8	188	30	22,45

12-VOLT HEAVY-DUTY COMMERCIAL SERVICE

3ET	93ET	500	120	615	49.5	19-1/4	489	4-1/4	108	9-7/8	251	12	12,25
4D	904D	1050	290	1290	97	20-3/4	527	8-1/2	216	10-1/8	258	12	12,17,21,22
4DLT	94DLT	850	240	1045	78.5	20	508	8-1/8	206	8-1/8	206	12	12,19,25
8D	908D	1400	430	1720	130	20-3/4	527	11	279	10	254	12	12,17,25
31	1131MF	950	175	1170	56.5	13	330	6-3/4	171	9-1/2	241	18	17,19,21,22,X
31	1031MF	760	170	935	53.5	13	330	6-3/4	171	9-1/2	241	18	17,19,21,22,X
31P	1131PMF	950	175	1170	56.5	13	330	6-3/4	171	9-1/2	241	18	17,19,21,22
31P	1031PMF	760	170	935	53.5	13	330	6-3/4	171	9-1/2	241	18	17,19,21,22

12-VOLT VALUE LINE MAINTENANCE-FREE

31	VL31X	925	170	1135	55	13	330	6-3/4	171	9-1/2	241	12	17,19,22,45,X
31	VL31	650	130	800	52	13	330	6-3/4	171	9-1/2	241	12	17,19,22,45,X

12-VOLT HEAVY-DUTY COMMERCIAL SEVERE SERVICE/DUAL PURPOSE

31	7T31	730	190	900	62	13	330	6-3/4	171	9-1/2	241	18	17,19,21,22,43,X
----	------	-----	-----	-----	----	----	-----	-------	-----	-------	-----	----	------------------

6-VOLT HEAVY-DUTY COMMERCIAL SERVICE

1	901MF	640	130	785	33	9	229	6-7/8	175	8-3/4	222	12	21,25
3EH	93EH	875	250	1075	47	19-1/4	489	4-1/4	108	10	254	12	12,25

12-VOLT VINTAGE VEHICLES & LIGHT COMMERCIAL

3EE	403E	400	9.5	490	42	19-1/4	489	4-1/4	108	9	229	12	11,25,45
-----	------	-----	-----	-----	----	--------	-----	-------	-----	---	-----	----	----------

GROUP#	PART #	PERFORMANCE LEVEL				WEIGHT (LB) DRY	MAXIMUM OVERALL DIMENSIONS						WARRANTY FREE MONTHS	FOOTNOTES
		CCA	R.C.	REF. CA	VOLTS		LENGTH		WIDTH		HEIGHT			
							IN	MM	IN	MM	IN	MM		

DRY CHARGED

24	624MFD	650	115	800	12	26	10-3/4	273	6-3/4	171	9	229	24	23,45
U1	8U1LD	230	-	285	12	10.5	7-3/4	197	5-1/8	130	7-1/4	184	6	8,22,23,Z

DON'T SEE THE BATTERY YOU NEED? GIVE US A CALL. THESE ARE JUST SOME OF OUR MOST POPULAR PARTS.

800.952.3674

DEKA BATTERY REFERENCE SHEET

POPULAR DEKA BATTERY REFERENCE SHEET CONTINUED

GROUP#	PART #	PERFORMANCE LEVEL			WEIGHT (LB) WET	MAXIMUM OVERALL DIMENSIONS						WARRANTY FREE MONTHS	FOOTNOTES		
		CCA	R.C.	REF. CA		LENGTH		WIDTH		HEIGHT					
						IN	MM	IN	MM	IN	MM				
12-VOLT GOLD / A3™ TECHNOLOGY															
34/78	678DT	690	110	850	39	10-3/4	273	6-7/8	175	8	203	24	14,16,17,18,22,37,45		
27	627MF	710	120	875	48.5	12	305	6-3/4	171	9	229	24	21,45		
34	634MF	690	110	850	38	10-3/4	273	6-7/8	175	8	203	24	17,18,22,37,45		
34R	634RMF	690	110	850	38	10-3/4	273	6-7/8	175	8	203	24	17,18,22,37,45		
47 (H5/L2)	647MF	650	100	800	37	9-9/16	242	6-7/8	175	7-1/2	190	24	17,22,26,45		
48 (H6/L3)	648MF	680	120	835	42.5	11	278	6-7/8	175	7-1/2	190	24	17,22,26,45		
49 (H8/L5)	649MF	900	185	1105	52.5	13-15/16	354	6-7/8	175	7-1/2	190	24	17,22,26,45		
51R	651RMF	500	75	615	30	9-3/8	238	5	127	8-3/4	222	24	22,45		
58	658MF	580	85	715	32.5	10	254	7-1/4	184	6-7/8	178	24	17,22,45		
59	659MF	590	100	725	38	9-1/2	241	7-7/16	189	7-1/2	190	24	17,45		
65	665MF	850	150	1045	46.5	12	305	7-3/8	187	7-5/8	194	24	17,22,45		
75	675MF	650	90	800	34.5	9-3/4	248	7	178	7-1/4	184	24	17,22,45		
78	678MF	690	110	850	37.5	10-3/4	273	6-7/8	175	7-1/4	184	24	17,22,45		
85	685MF	650	110	800	35	9	229	6-7/8	175	8-1/8	206	24	22,45		
91 (T6/LB3)	691MF	700	100	860	39	11	278	6-7/8	175	6-7/8	175	24	17,22,26,45		
94R (H7/L4)	694RMF	790	140	970	47	12-7/16	315	6-7/8	175	7-1/2	190	24	17,22,26,45		
96R	696RMF	600	90	740	34	9-9/16	242	6-7/8	175	6-7/8	175	24	17,22,45		
12-VOLT LAWN MOWER – GARDEN TRACTOR – SMALL ENGINE CALCIUM MAINTENANCE-FREE															
U1	10U1L	300	-	370	17	7-3/4	197	5-1/8	130	7-1/4	184	6	22,Z		
U1	8U1L	230	-	285	15.5	7-3/4	197	5-1/8	130	7-1/4	184	6	22,Z		
U1R	10U1R	300	-	370	17	7-3/4	197	5-1/8	130	7-1/4	184	6	22,Y		
GROUP#	PART #	PERFORMANCE LEVEL					WEIGHT (LB) WET	MAXIMUM OVERALL DIMENSIONS						WARRANTY FREE MONTHS	FOOTNOTES
		CCA	REF.CA	20 HR CAP	MINS @ 23 A	MINS @ 25 A		LENGTH		WIDTH		HEIGHT			
								IN	MM	IN	MM	IN	MM		
12-VOLT MARINE / RV STARTING CALCIUM MAINTENANCE-FREE															
24	24M7	800	1000	-	-	130	46	10-3/4	273	6-3/4	171	9-3/8	238	12	17,22,U
24	24M5	550	675	-	-	90	37	10-3/4	273	6-3/4	171	9-3/8	238	12	17,22,U
12-VOLT MARINE / RV DUAL PURPOSE STARTING / CYCLE SERVICE															
24	DP24	550	675	65	140	120	44	10-3/4	273	6-3/4	171	9-3/8	238	12	12,17,44,U
27	DP27	650	800	80	175	150	51	12-1/2	318	6-3/4	171	9-3/8	238	12	12,17,44,U
12-VOLT MARINE / RV DEEP CYCLE SERVICE															
24	DC24	500	615	75	150	130	45.5	10-3/4	273	6-3/4	171	9-3/8	238	12	11,17,35,44,U
27	DC27	575	705	90	200	175	53.5	12-1/2	318	6-3/4	171	9-3/8	238	12	11,17,35,44,U
31	DC31DT	650	800	105	225	190	60	13	330	6-3/4	171	9-1/2	241	12	11,17,21,22,35,44,A
GROUP#	PART #	20 HR CAP	5 HR CAP	MINS. DISCHARGED @			WEIGHT (LB) WET	MAXIMUM OVERALL DIMENSIONS						WARRANTY FREE MONTHS	FOOTNOTES
				75 A	56 A	25 A		LENGTH		WIDTH		HEIGHT			
								IN	MM	IN	MM	IN	MM		
GOLF CAR – EV – MOTIVE POWER – DEEP CYCLE SERVICE															
GC2	GC10	215	157	105	-	395	60.5	10-1/4	260	7-1/8	181	10-7/8	276	12	11,36,U

DON'T SEE THE BATTERY YOU NEED? GIVE US A CALL. THESE ARE JUST SOME OF OUR MOST POPULAR PARTS.

WWW.WHEELCO.COM

DEKA BATTERY REFERENCE & FOOTNOTES

POPULAR DEKA BATTERY REFERENCE SHEET CONTINUED

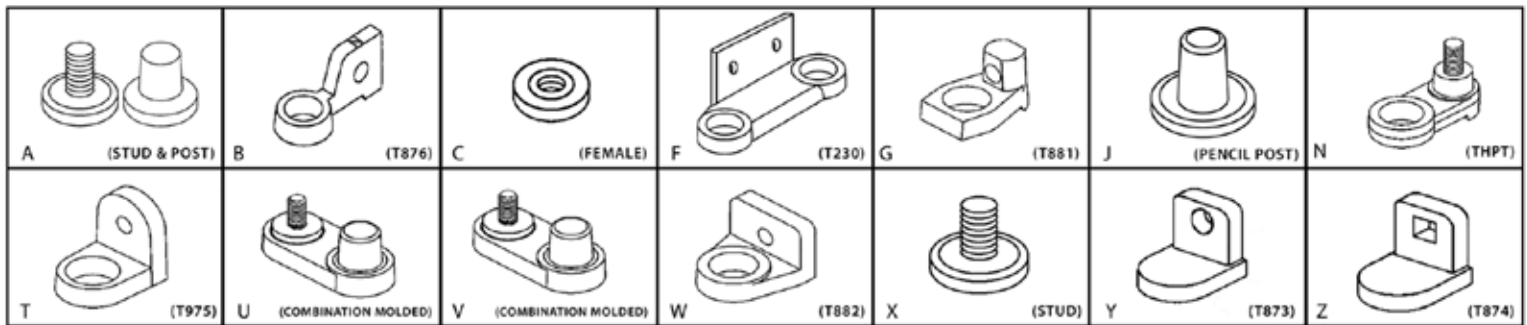
GROUP#	PART #	PERFORMANCE LEVEL		WEIGHT		MAXIMUM OVERALL DIMENSIONS						WARRANTY FREE MONTHS	FOOTNOTES
		CCA	10 HR CAPACITY	IN	IN	LENGTH		WIDTH		HEIGHT			
						IN	MM	IN	MM	IN	MM		
POWER SPORTS AGM VALVE REGULATED													
	ETX14	220	12	11.5	5.2	5-7/8	150	3-7/16	88	5-3/4	145	12	2,38,39,42,75
	ETX15	220	13	11.5	5.2	5-1/4	134	3-1/2	90	6-9/16	166	12	2,38,39,42,76
	ETX16	325	19	17	7.7	6-7/8	175	4	100	6-1/8	155	12	2,38,39,42,74
	ETX16L	325	19	17	7.7	6-7/8	175	4	100	6-1/8	155	12	2,38,39,42,74

REFERENCE FOOTNOTES

Product Information

- Batteries are maintenance-free calcium grids, except when noted
- Batteries manufactured in polypropylene cases & covers, except when noted
- Batteries manufactured in black cases & covers, except when noted
- SAE & DIN automotive posts used, unless noted (Excludes Power Sports)
- Warranty is suggested months
- Weights are approximates
- CA and MCA ratings @ 32°F are approximations for comparison only
- Ratings except CCA and RC, are "nominal"
- CCA and RC ratings conform to B.C.I. Specifications

Terminal Reference



- A. Flush Combination Terminal with 5/16" Stud and SAE Post
Hex Nuts Included
- B. Flag Terminal with 3/8" Diameter Hole (T876)
- C. 1/4" - 20 Copper Insert Terminal
- F. Double Wide L Terminal with Two 3/8" Holes (T230)
- G. Offset Post with Horizontal Hole, Stainless Steel 5/16" Bolt and Hex Nut (T881)
- J. JIS Terminal "Pencil Post"
- N. Vertical Stainless Steel 5/16"- 18 Stud (THPT)
- T. Heavy Duty L Terminal with 3/8" Diameter Hole (T975)
- U. Molded-In Offset SAE Post and Vertical 5/16" NEG., 5/16" POS. Stainless Steel Studs and Hex Nuts
- V. Molded-In Offset SAE Post and Vertical 5/16" NEG., 5/16" POS. Stainless Steel Studs
- W. "L" Type Terminal with 5/16" Diameter Hole (T882)
- X. 3/8"- 16 Stainless Steel Stud Posts
- Y. Small L Terminal with Round Hole
- Z. Small L Terminal with Square Hole

Battery Reference

- Black cover / Gray case
- Gray cover / Gray case
- Black cover / Brown case
- Black cover / White case
- Low maintenance-low antimony grids
- Hybrid construction
- Absorbed Glass Mat technology (AGM)
- Centerline terminal posts
- Hard rubber, one-piece cover construction
- Dual terminal, universal design
- Includes handle
- Includes top adapter
- Includes lifting ledges
- Hard rubber, multi-cell cover construction
- Anchor locked elements
- Flush manifold vented cover
- Up to 10% reduced capacity
- With individual vent caps
- Venting Elbow Supplied
- Available dry charged only
- Fahrenheit Thermal Shielding Technology
- Ratings after 15 cycles
- Deduct 15% from CCA and CA to allow for double insulation (glass mat)
- Peak performance capacity
- For height with adapter add 7/8" (22mm)
- "Non-spillable" as defined by DOT (Department of Transportation) definitions
- "Non-spillable" as defined by ICAO (International Civil Aviation Organization) and IATA (International Air Transport Association) definitions
- Height without adapter
- Free replacement warranty is 12 months in deep-cycle use and 3 months in full electric vehicle use
- Free replacement warranty is 3 months in full electric vehicle use
- If battery is used in on-highway vehicles equipped with two-way radios (such as taxis, police, and emergency vehicles), marine applications, off-highway use, and other non-automotive usage, free warranty replacement period will be 6 months and 3 months in full electric vehicle use
- If battery is used in on-highway vehicles equipped with two-way radios (such as taxis, police, and emergency vehicles), marine applications, off-highway use, and other non-automotive usage, free warranty replacement period will be 18 months, free replacement warranty is 12 months in deep-cycle use and 3 months in full electric vehicle use
- Shipped with 20mm height adapter
- Shipped with two 17mm height adapters
- Shipped with 10mm height adapter